

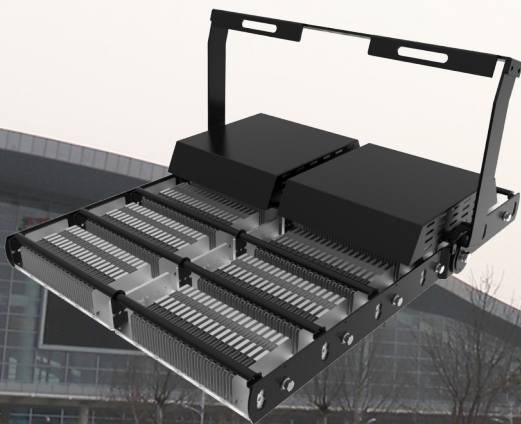


Key Features

- Efficacy:** Up to 180 Lm/w
- LED Chip:** LUMILEDS
- SDCM:** <5
- Beam Angle:** 20°/40°/60°/90°/140°x100° PC lens
- IP Rating:** IP65
- Installation:** Bracket
- Certifications:** CE, RoHS
- Warranty:** 7 years
- Surge protection:** 6kV/10kV/20kV

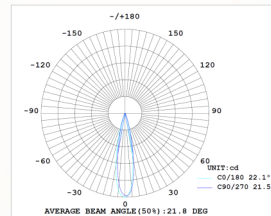
Application

Large stadium, all kinds of large stadium, ships, squares, docks, airports, commercial sites, overpass, outdoor advertising, landmarks and other large panoramic lighting.

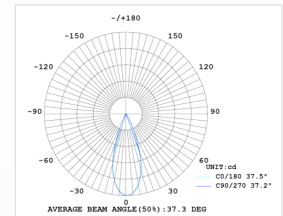


Photometry

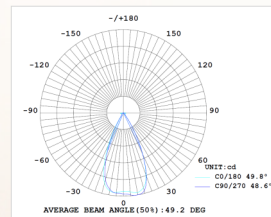
20° PC lens



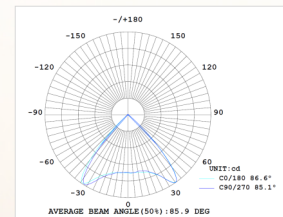
40° PC lens



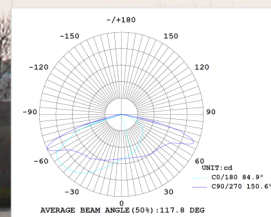
60° PC lens



90° PC lens



140°x100° PC lens



WSLI Flood Light Datasheet

Product Data

SKU	WSLI-FL100H	WSLI-FL200H	WSLI-FL300H	WSLI-FL400H	WSLI-FL600H	WSLI-FL800H	WSLI-FL1000H	WSLI-FL1200H
Wattage	100W	200W	300W	400W	600W	800W	1000W	1200W
Lumen Output	18,000 lm	36,000 lm	54,000 lm	72,000 lm	108,000 lm	144,000 lm	180,000 lm	216,000 lm
Luminous Efficacy	180 lm/w							
CCT	3000K/4000K/5000K/5700K/6500K							
CRI	Ra≥70 (Ra≥80 optional)							
Input Voltage	100-277 VAC							
Housing Color	Black							
Housing Material	Aluminum, PC							
Operating temperature	-30°C to +50°C							
Operating humidity	10% to 90% RH							
Lifespan	100,000 hours							
Warranty	5/7 years							

ErP Technical Specification

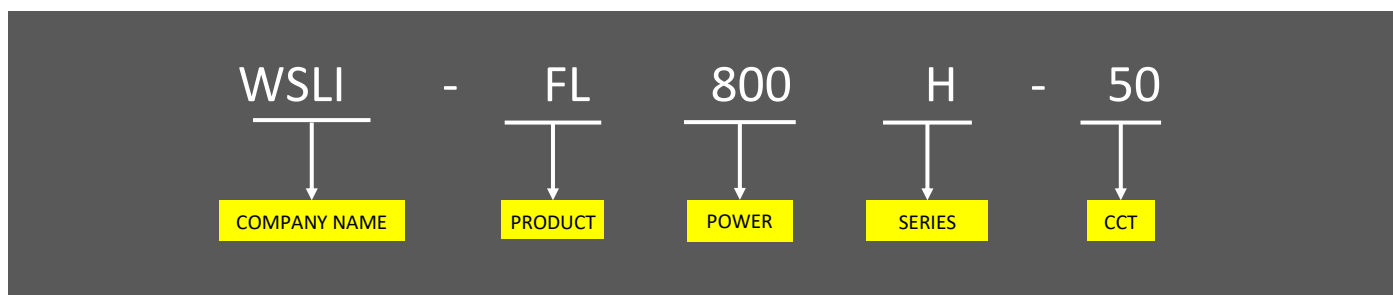
Item	Specification/Data
Efficiency In	>93%
Power Factor	PF>0.90
Energy Efficiency Class	A**
Standard Deviation of Color Matching	<5
Starting Time	<0.2S
Warm-up Time to 60%	<0.5S
Lumen Maintenance at e.o.l.	>70%
Lifetime	L70/B10@100,000hours

WSLI Flood Light Datasheet

Mounting & Accessories

	Bracket
	Black Steel
	UGR Reflector
	Black Steel

Ordering Information

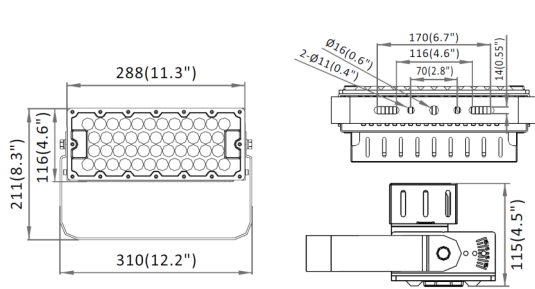


Packaging

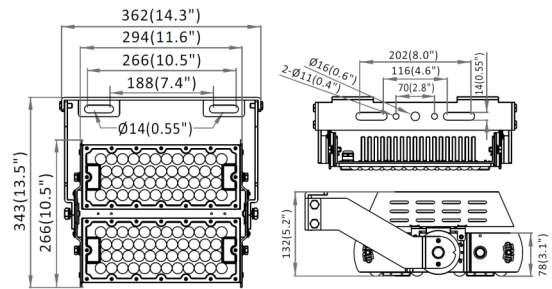
SKU	PCS/CTN	Net Weight	Volumetric Weight	CBM	20' GP	40' GP
WSLI-FL100H	1PCS	3.0 kg	4.0 kg	L365xW171xH273 mm ≈ 0.021 m ³	1330 CTNs	3230 CTNs
WSLI-FL200H	1PCS	5.5 kg	7.0 kg	L424xW387xH180 mm ≈ 0.037 m ³	750 CTNs	1830 CTNs
WSLI-FL300H	1PCS	7.6 kg	10.0 kg	L519xW424xH180 mm ≈ 0.049 m ³	570 CTNs	1380 CTNs
WSLI-FL400H	1PCS	10.5 kg	12.0 kg	L647xW424xH180 mm ≈ 0.060 m ³	460 CTNs	1130 CTNs
WSLI-FL600H	1PCS	13.7 kg	16.0 kg	L712xW519xH180 mm ≈ 0.079 m ³	350 CTNs	860 CTNs
WSLI-FL800H	1PCS	17.6 kg	20.0 kg	L712xW651xH180 mm ≈ 0.098 m ³	280 CTNs	690 CTNs
WSLI-FL1000H	1PCS	25.5 kg	27.5 kg	L783xW712xH180 mm ≈ 0.117 m ³	230 CTNs	580 CTNs
WSLI-FL1200H	1PCS	30.0 kg	32.5 kg	L915xW712xH180 mm ≈ 0.137 m ³	200 CTNs	490 CTNs

WSLI Flood Light Datasheet

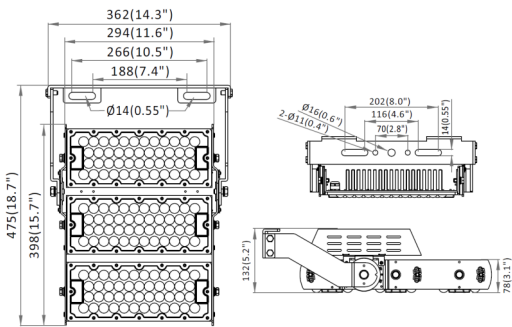
Dimension (unit: mm/inch)



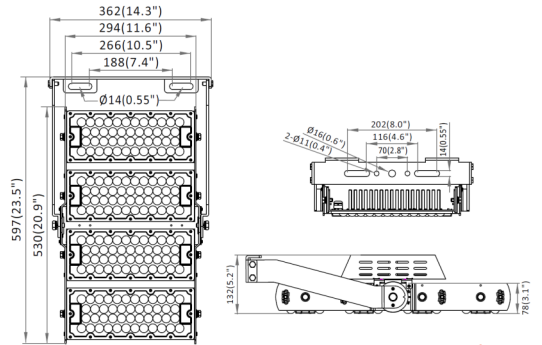
WSLI-FL100H



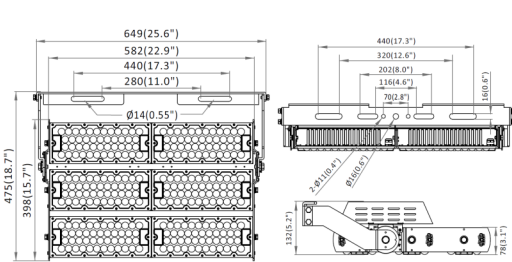
WSLI-FL200H



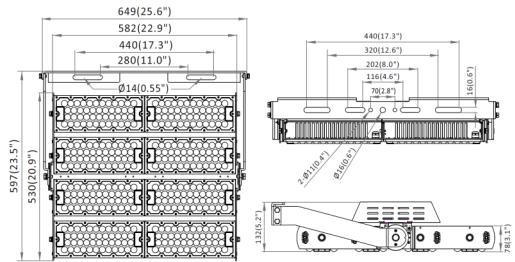
WSLI-FL300H



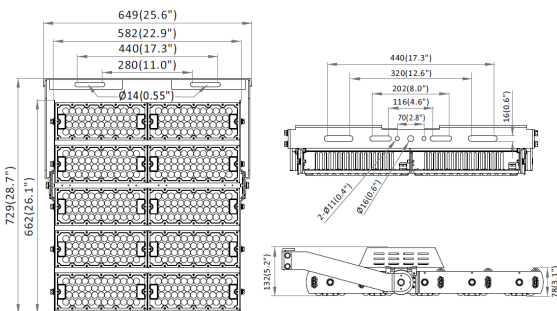
WSLI-FL400H



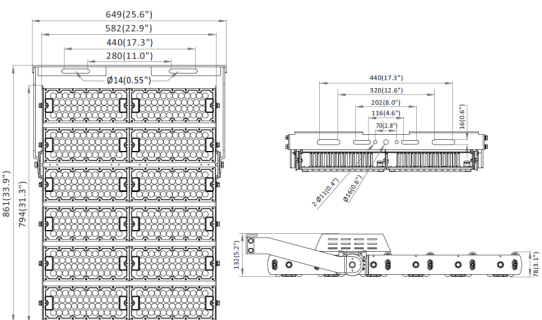
WSLI-FL600H



WSLI-FL800H



WSLI-FL1000H



WSLI-FL1200H

WSLI Flood Light Datasheet

Packing Image

