

WSLI PISHON SOLAR STREET



White Star Lighting Industry Pty Ltd
Let there be light!

15W/20W/30W/40W/50W @ 170Lm/W 5000K 100 000HRS



44 COPPER STREET PROSPERITA WINDHOEK NAMIBIA, 0813255882 :paul@wstar3.com

60,000hrs LED chips life
25 years solar panel life

NEW



LIN series integrated solar street light, new structure, new appearance, and new features bring you new experience.



1. Integrated design, simple but grand style



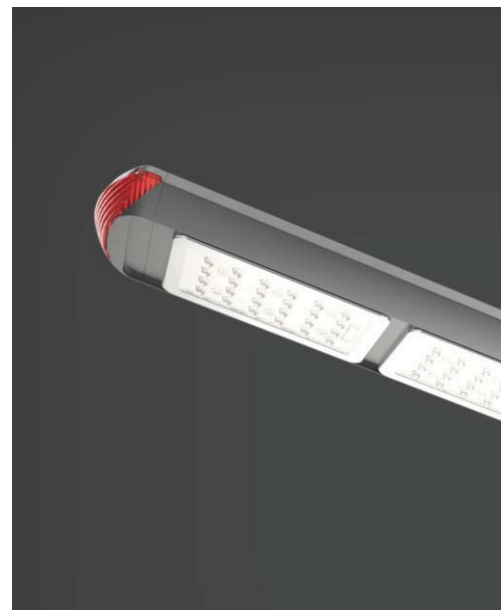
2.Hat socket installation, convenient and easy



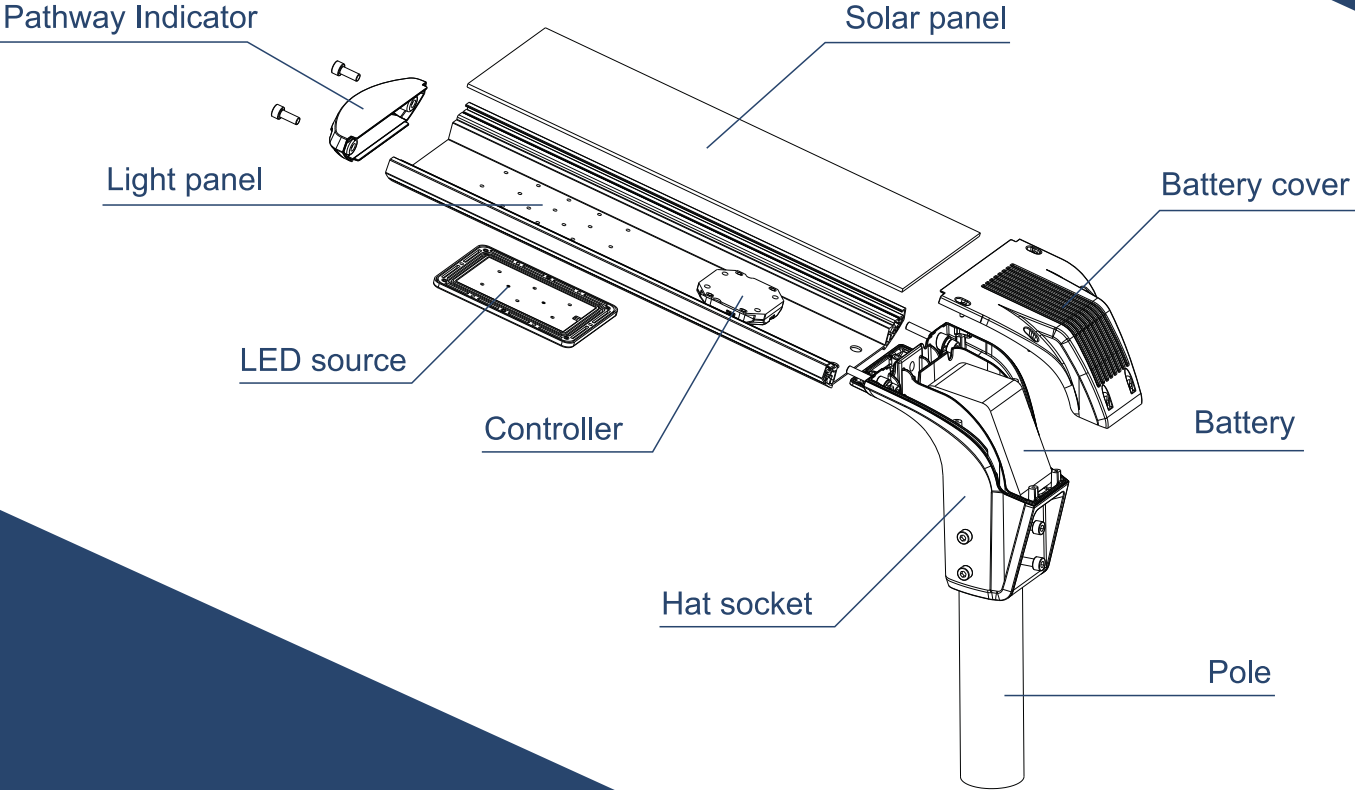
3.APP control, intelligent and efficient



4.Pathway Indicator, Beautiful Warning Design



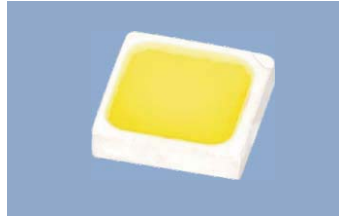
5.Product Structure Diagram



6. Hardware components



Monocrystalline solar cells, photoelectric conversion efficiency up to 21%.



A-class LED chips , energy saving and more efficient.



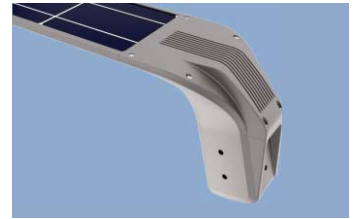
Power lithium ion battery , cycle times more than 1500.



MPPT controller, higher charging efficiency.



Optical polarized light integrated lens, higher transmittance and safer.



Die-cast aluminum integrated molding, rust resistant and lighter.

7.Parameters/15W

Electrical Characteristic

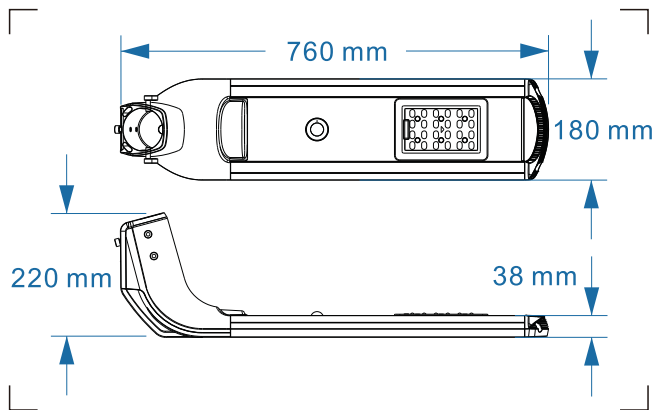
Rated Power	15W
Solar Panel Power	18V/15W
Battery Capacity	57.7WH
Charge Time	6-8H
Discharge Time	>36H
Operating Temperature	-25°C~+65°C
Switch Threshold	15LUX
Max Sensing Distance	≤12M

LED Parameters

LED Beads	24Units (3030)
Lumen flux	2100-2550LM
Luminous Efficiency	140-170LM/W
Light Distribution	Batwing Type
Color Temperature	2800-6500K

Mechanical Specification

Light Body Size	760*180*220MM
Net Weight	
Installation Height	3-4M
Installation Distance	9-12M



7.Parameters/20W

Electrical Characteristic

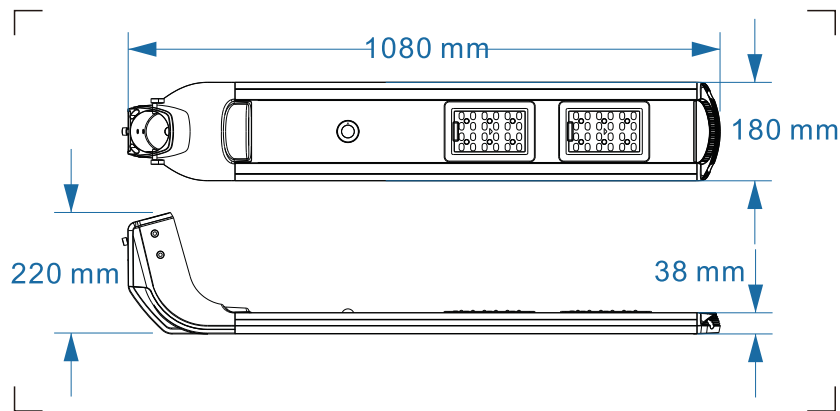
Rated Power	20W
Solar Panel Power	18V/20W
Battery Capacity	115.4WH
Charge Time	6-8H
Discharge Time	>36H
Operating Temperature	-25°C~+65°C
Switch Threshold	15LUX
Max Sensing Distance	≤12M

LED Parameters

LED Beads	48Units (3030)
Lumen flux	2800-3400LM
Luminous Efficiency	140-170LM/W
Light Distribution	Batwing Type
Color Temperature	2800-6500K

Mechanical Specification

Light Body Size	1080*180*220MM
Net Weight	
Installation Height	4-5M
Installation Distance	12-15M



7.Paramenters/30W

Electrical Characteristic

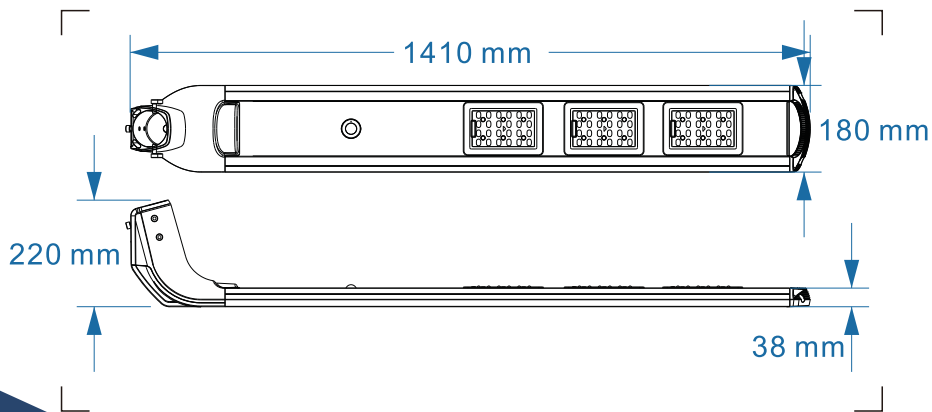
Rated Power	30W
Solar Panel Power	18V/30W
Battery Capacity	173.1WH
Charge Time	6-8H
Discharge Time	>36H
Operating Temperature	-25°C~+65°C
Switch Threshold	15LUX
Max Sensing Distance	≤12M

LED Parameters

LED Beads	72Units (3030)
Lumen flux	4200-5100LM
Luminous Efficiency	140-170LM/W
Light Distribution	Batwing Type
Color Temperature	2800-6500K

Mechanical Specification

Light Body Size	1410*180*220MM
Net Weight	
Installation Height	5-6M
Installation Distance	15-18M



7.Paramenters/40W

Electrical Characteristic

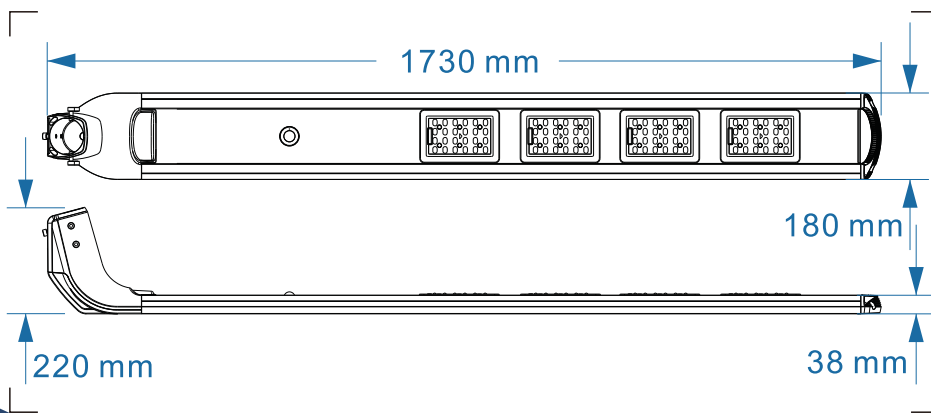
Rated Power	40W
Solar Panel Power	18V/40W
Battery Capacity	230.8WH
Charge Time	6-8H
Discharge Time	>36H
Operating Temperature	-25°C~+65°C
Switch Threshold	15LUX
Max Sensing Distance	≤12M

LED Parameters

LED Beads	96Units (3030)
Lumen flux	5600-6800LM
Luminous Efficiency	140-170LM/W
Light Distribution	Batwing Type
Color Temperature	2800-6500K

Mechanical Specification

Light Body Size	1730*180*220MM
Net Weight	
Installation Height	6-7M
Installation Distance	18-21M



7.Paramenters/50W

Electrical Characteristic

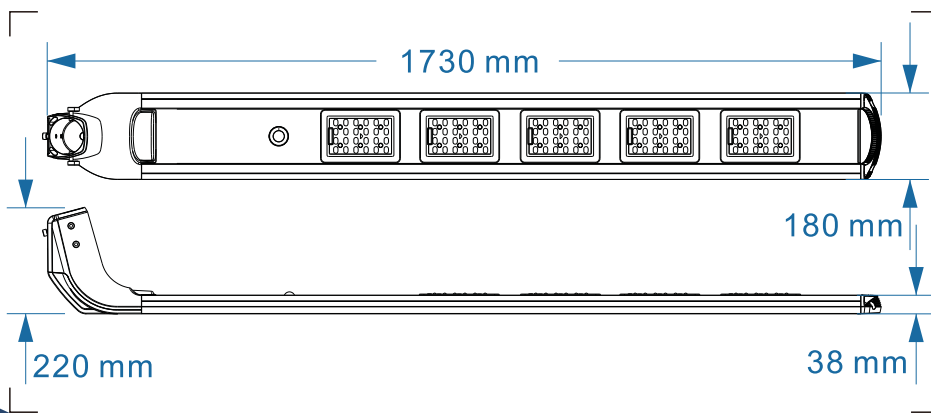
Rated Power	50W
Solar Panel Power	18V/40W
Battery Capacity	288.5WH
Charge Time	6-8H
Discharge Time	>36H
Operating Temperature	-25°C~+65°C
Switch Threshold	15LUX
Max Sensing Distance	≤12M

LED Parameters

LED Beads	120Units(3030)
Lumen flux	7000-8500LM
Luminous Efficiency	140-170LM/W
Light Distribution	Batwing Type
Color Temperature	2800-6500K

Mechanical Specification

Light Body Size	1730*180*220MM
Net Weight	
Installation Height	7-8M
Installation Distance	18-21M



8.Application

This series of product are mainly used in provincial highways, county highways, township roads, park and communities, various squares and so on.



9.Maintenance and Warranty

Maintenance

- (1).Regularly clean the solar panel from dirt spots, dusting or other kinds of soiled is suggested to assure the charging efficiency
- (2).Regular maintenance is suggested to keep the locking screws of pole are secured to the ground, and keep the pole clear from rust or corrosion

Warranty

Product Warranty: We provide 3 years warranty

Disclaimer Declaration:

- (1).The manufacturer shall not be responsible or liable for failure to perform all or any portion of this specification due to earthquake, flood, thunder or other natural hazards, and fire disaster which not caused by our products.
- (2).The manufacturer shall not be responsible for damage and loss casued by any unforeseen events such as theft, traffic accidents.
- (3).The manufacturer shall not be responsible for loss which not complied with this product manual.
- (4).The manufacturer shall not be responsible for loss which caused by use in conjunction with irrelevant our product.