

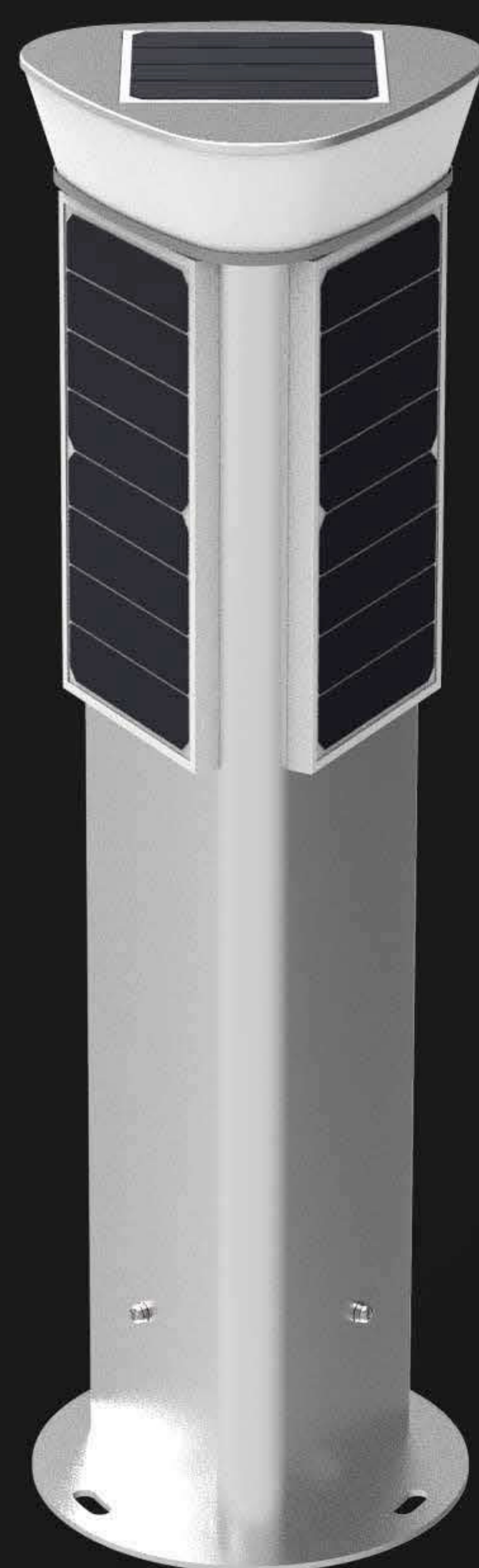


White Star Lightings  
Industries PTY LTD



# ***WSLI EDEN SOLAR BOLLARDS SERIES***





► *Four-sided solar panel*

# ALSO WE HAVE WHAT OTHERS DON'T



Intelligent sunlight activation



Vandal resistant



High efficiency solar panel (24% efficiency)



6063 marine grade anodized aluminum pole



Quick and easy to install



Unique dome-shape design



**Mode NO.**

WSLI EDEN SOLAR BOLLARDS SERIES

**Lighting**

Light Output	2000LM
LED Chip	High bright 3030
CCT	2700-6000K (can be customized)
Life Span	100,000 hours to LM80 specifications
Working Way	Motion Sensor // Time Schedule

**Solar Panel**

Power of PV module	70W
Life Span	80%power after 25years

**Storage**

Battery Capacity	150WH
Lighting time in rainy day	>10 days
Life Span	4000 Cycles (>10 years)

**Charging Controller**

Life Span	5 years
Working Mode	MPPT
Control Mode	Intelligent, activated by sunlight

**Environment**

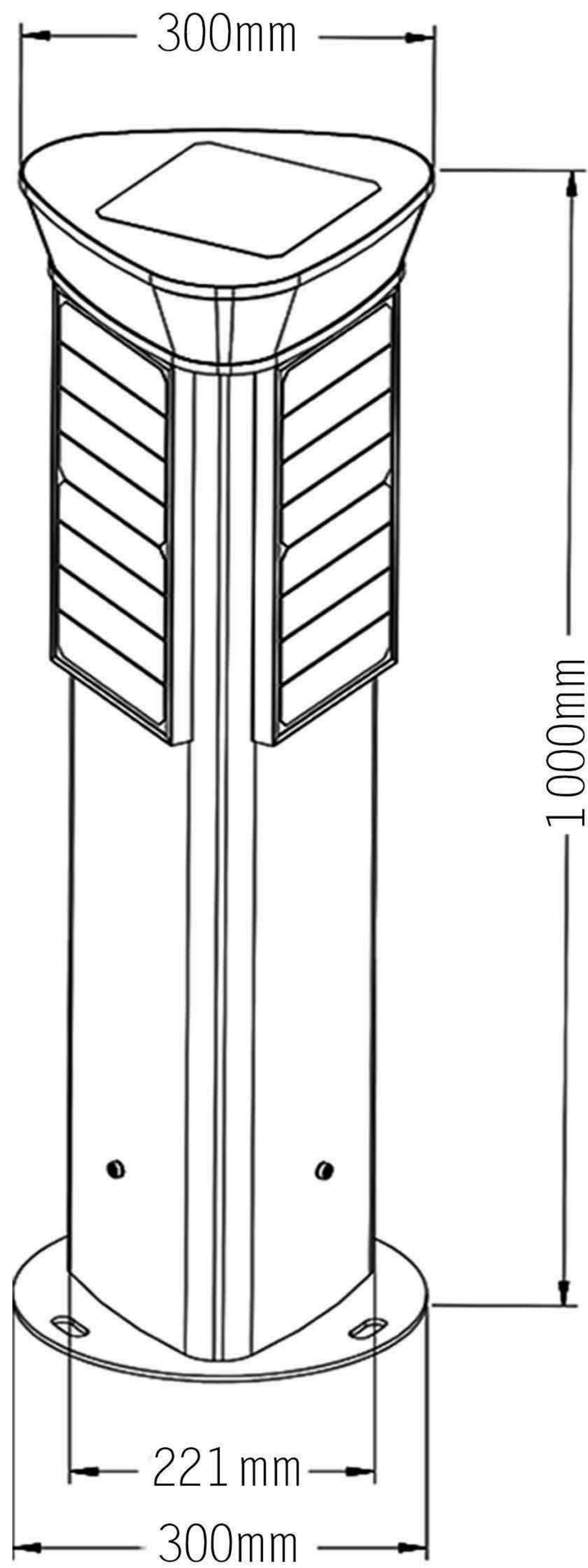
Working Temperature	-15°C to +70°C
Water Resistance	IP65

**Solar Panel Autoclean**

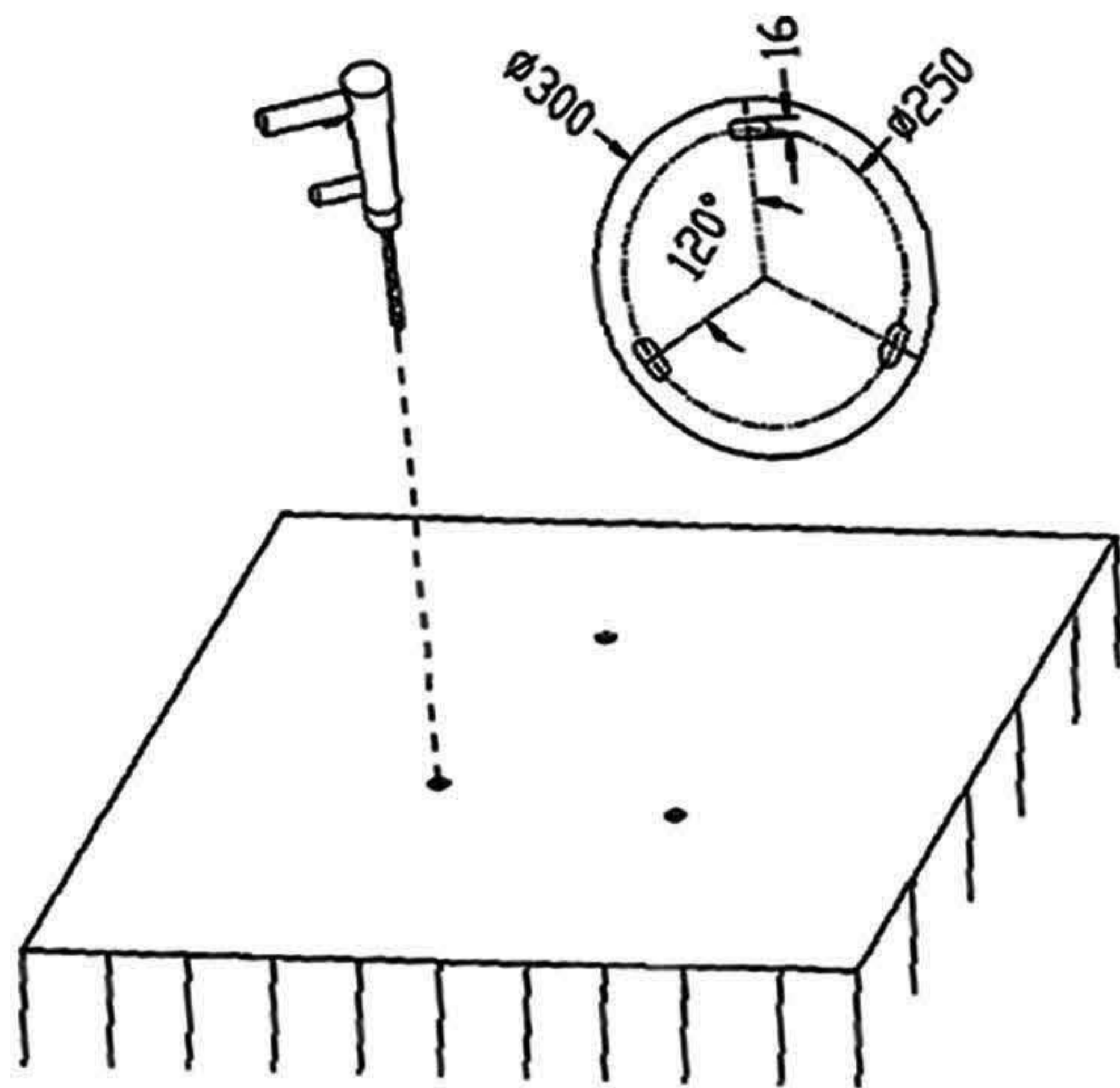
—

**Mechanical Specifications**

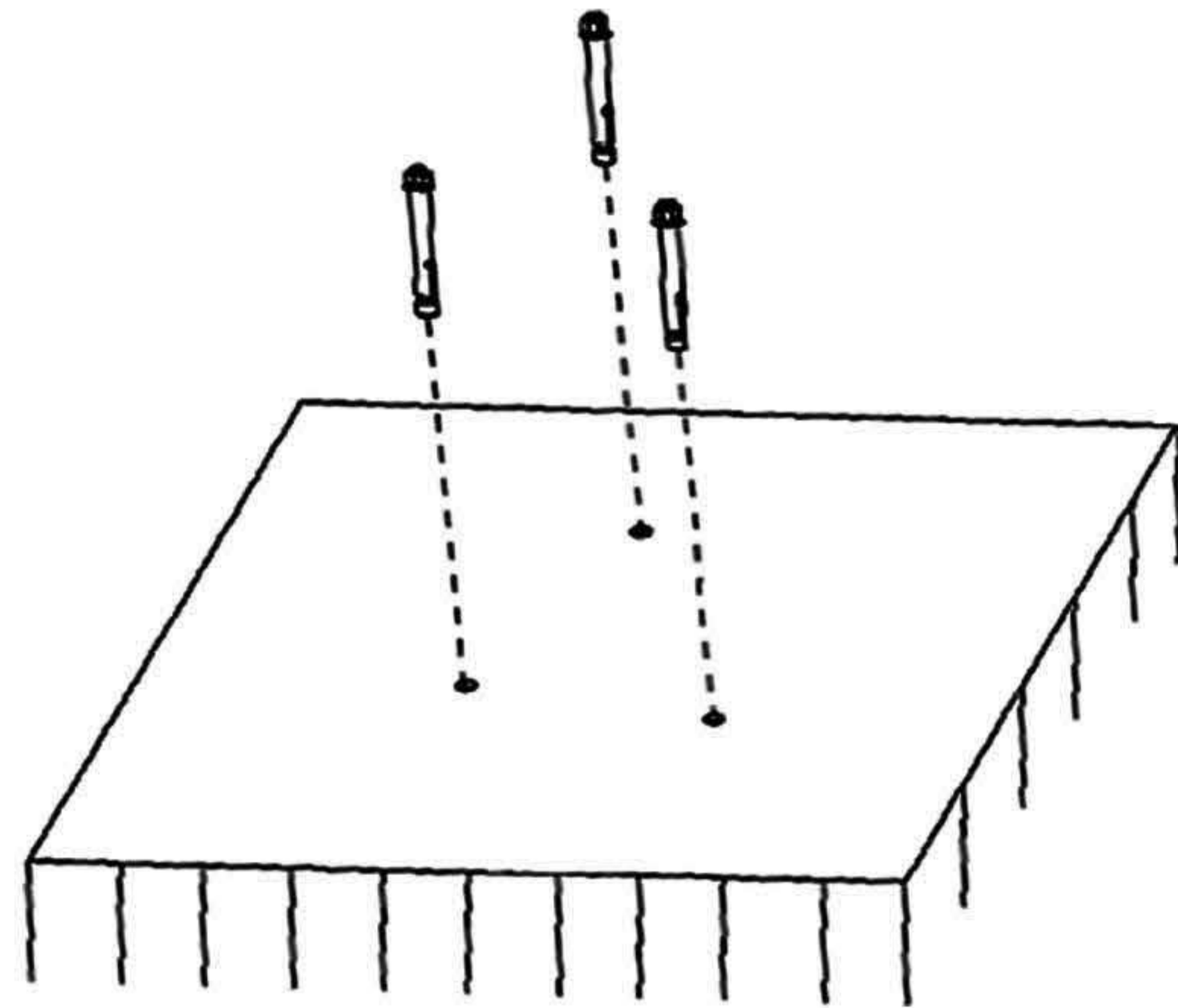
Recommended Pole Height	1m
Net Weight (Kg)	13
Package Dimension (mm)	1050*360*375



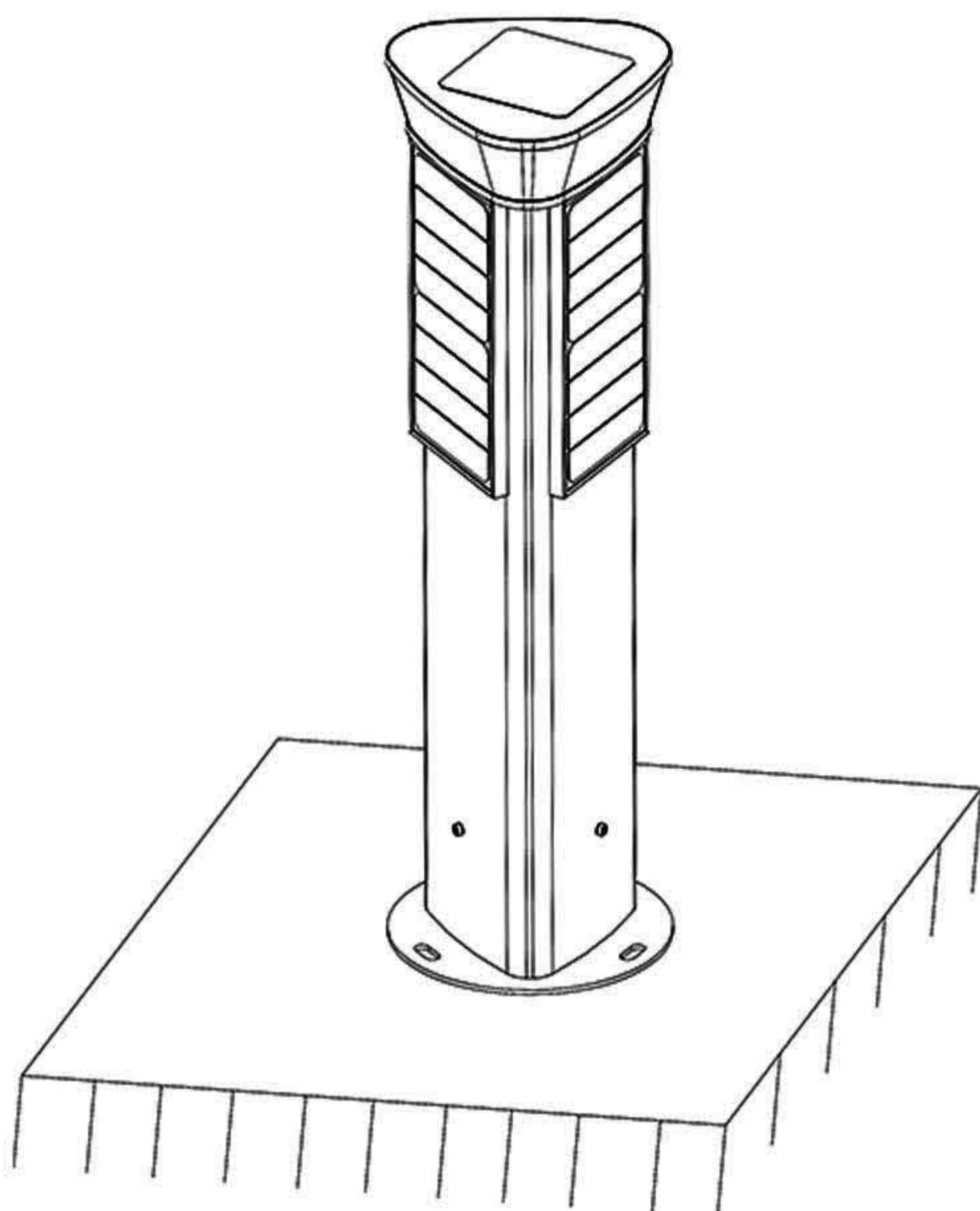
1. Place battery and MPPT controller as per below drawing. Match holes location, then fix it with 2 pcs of M4 lock nuts and 4 pcs of M6 eye nuts.



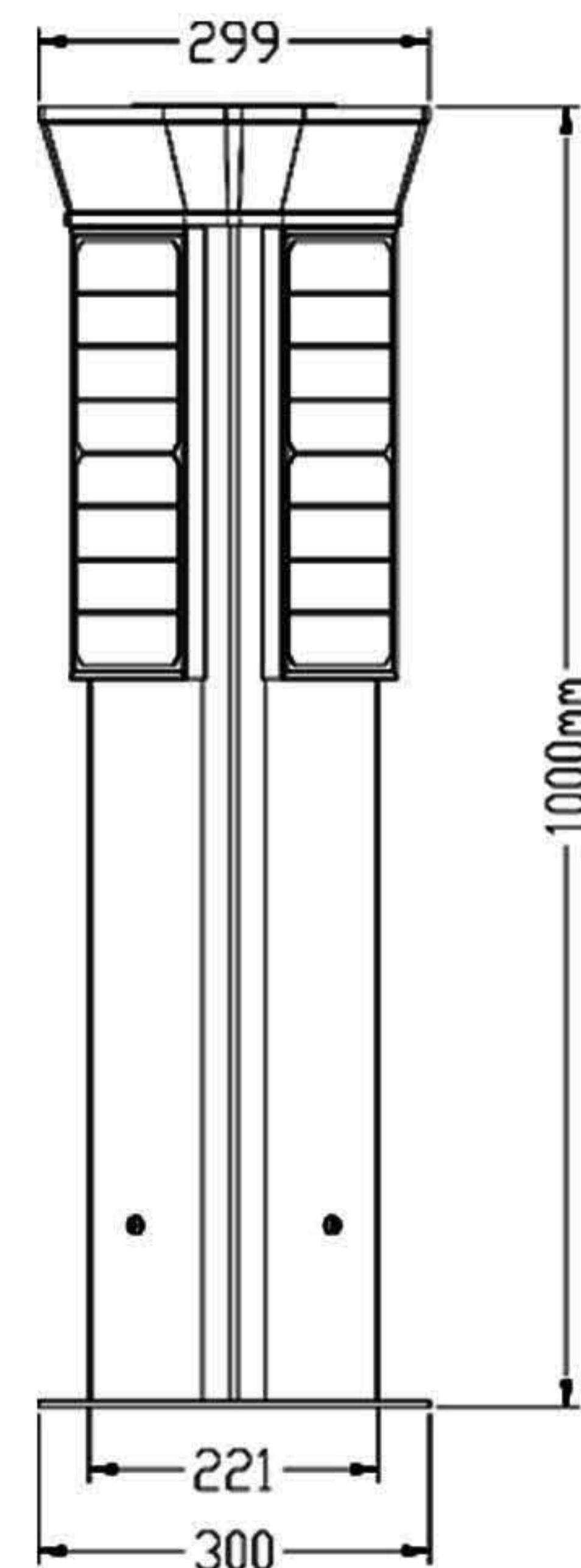
2. Connect the wiring between the LED, solar panel, and battery.



3. Unlock the buckle, place solar panel as per below drawing, buckle up.



4. Place bracket as per below drawing, and match the location of holes and fix it with screws.



Step 1



Step 2



Step 3



Step 4



Model NO.	QTY(PCS)	Carton Size(mm)	Net Weight
-----------	----------	-----------------	------------

WSLI EDEN SOLAR BOLLARDS SERIES

1

1050\*360\*375

15kg

# *WSLI EDEN SOLAR BOLLARDS SERIES*

*SOLAR STREET LIGHT*



White Star Lightings

Tel: +264 61 3030 320 / +264 81 325 5882

E-mail: [paul@wstar3.com](mailto:paul@wstar3.com)

[www.whitestarlights.com](http://www.whitestarlights.com)