

WSLI DESERT LED BULK HEADS



White Star Lighting Industry Pty Ltd

Let there be light



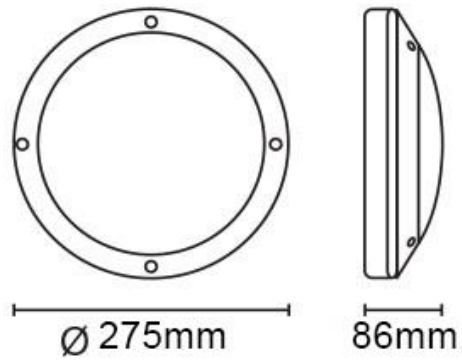
1. Features:

- Use high quality LM80 SMD LEDs as lighting source
- Use high quality driver in all models and suitable for wall and ceiling mounting.
- The color of Aluminum base is available for white or black.
- The diffuser is made by a high grade of PC that meets the IK10, also High UV Protection
- IP65 can be moisture proof.
- Luminous Efficiency > 130LM/W
- **Working with integral micro-wave sensor is available.**

2. Characteristics

Item	WSLI-DESERT-15W
Input	220-240VAC
Power	15W
LEDs	LM80 SMD LEDs
Lumens	2000LM
Efficiency	130LM/W
Driver	Constant Current Led Driver
Power Factor	>0.95
Rated Volt.	100-240V AC50/60Hz
Size	∅ 275x86mm
Color Temp.	Warm White:2800-3300K; Commercial White:4000-4500K; Cool White:6000-6500K
CRI	>80
Beam Angle	115°
IP Rating	IP65, IK10
Life Span	100 000Hrs
Materials	Aluminum PCB, Aluminum Base , High UV Protection
Working Temp.	-40°C - 60°C

WSLI DESERT LED BULK HEADS



3. Application

- Bathroom
- Outside corridor
- Shopping Center
- Hotel
- Stair, etc.

